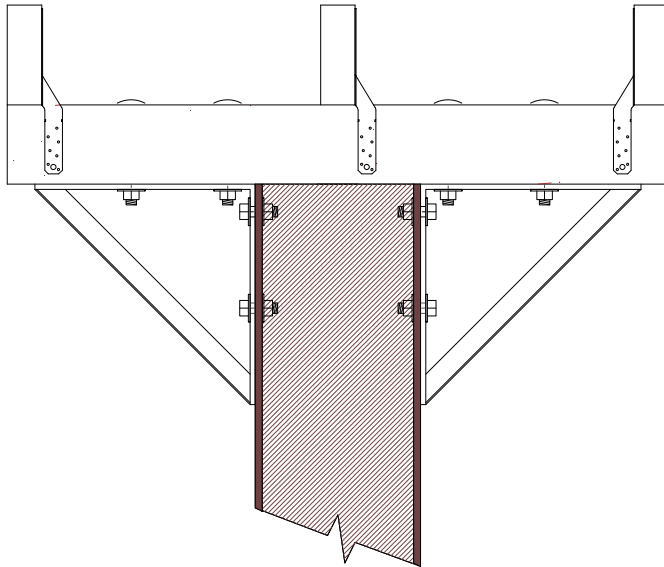
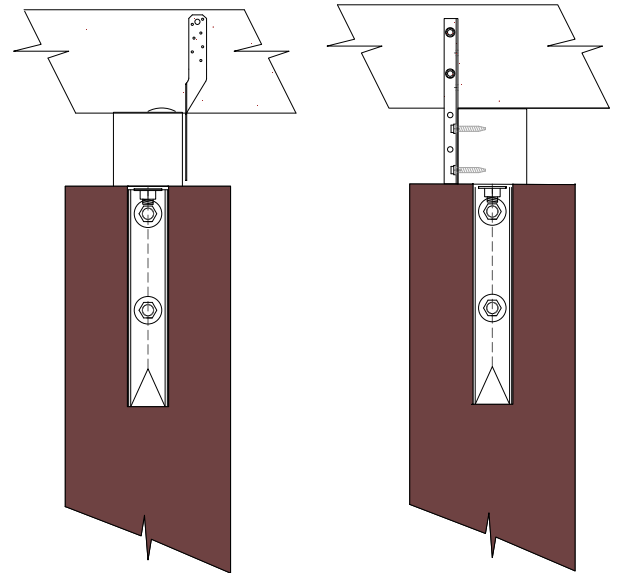


4' Wide Deck



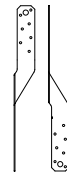
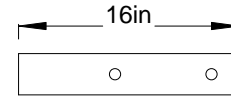
Side View



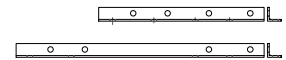
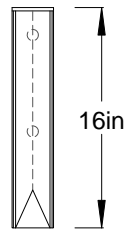
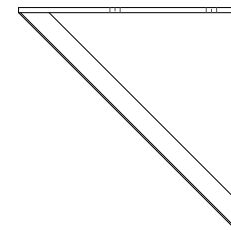
**Monopile Requirements:**

- 2 Monopile Brackets
- 4 x 6 P.T. Beam (Pile Cap) for 4' wide deck
- 4 - 3/4 x 2 Galvanized bolts
- 8 - 3/4 " Galvanized Standard Washers
- 4 - 3/4" Galvanized Curved Washers
- 4 - 3/4 x 8 Galvanized Timber Bolts (6" Timber)
- Simpson MTS12 Twist Strap 16 ga.
- 10d galvanized nails
- (or Ningret Straps & Bolts) Ninigret Marine - (401) 364-0200

Curved Washers

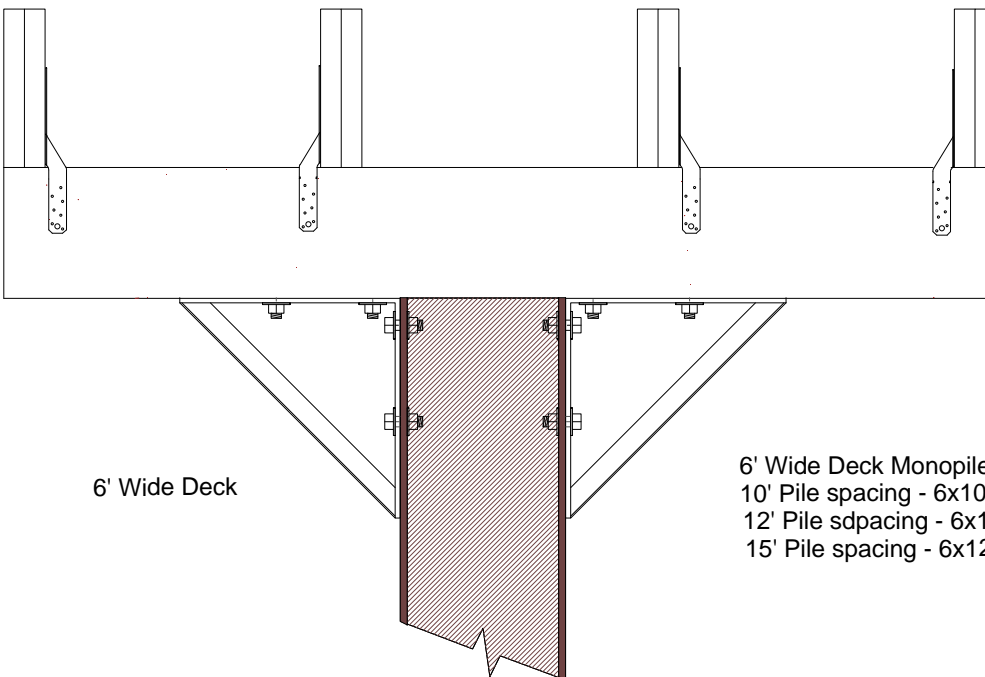


SIMPSON TWIST TIES



Ninigret Straps

6' Wide Deck



**6' Wide Deck Monopile Beams:**

- 10' Pile spacing - 6x10, 4x12 or 6x12 PT Lumber
- 12' Pile spacing - 6x10, 4x12 or 6x12 PT Lumber
- 15' Pile spacing - 6x12 PT Lumber

This information is provided by Pearson Pilings as an example of use. Any implied warranties of merchantability and fitness for a particular purpose are disclaimed. Suitability for a particular purpose is the responsibility of the project engineer. This document is the property of Pearson Pilings and is not to be reproduced in whole or in part without permission

DRAWN BY: PCM  
 DATE: SEPTEMBER 2008  
 © 2008 PEARSON PILINGS LLC

**MONOPILE MATERIALS**  
 FILE NAME: \mechanical attachments and hardware\monopile materials

  
 Pearson Pilings LLC  
 46 Airport Road  
 Fall River, MA 02720  
 (508) 675-0594  
[www.pearsonpilings.com](http://www.pearsonpilings.com)